

master BENCHTOPS

Quality & Service

69 O'Connell Street
Smithfield NSW 2164
Phone: (02) 8781 4400
Fax: (02) 8781 4499

sales@masterbenchtops.com.au
www.masterbenchtops.com.au
A.B.N. 52 068 297 601

LAMINATED BENCHTOP ORDER FORM

Page ____ of ____

Quote (Otherwise this is an ORDER)

Job Reference: _____

Business Name: _____

Address: _____

(No site deliveries)

Date: _____ Date Required: _____ Pick up

Phone: _____ Email: _____

Please proceed with this order

Requested By: _____

Signature: _____

Contact Number: _____

OFFICE USE ONLY

Quote (Excluding GST): _____

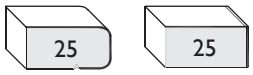
Quote Date: _____

Quoted By: _____

Signature: _____

Laminate Brand: _____ Colour: _____ Finish: _____

NEW 25mm HMR White under



Tight Form
 ABS Edge
(Laminex pattern and woodgrain colours only)

33mm HMR White under (sealed drip groove)



Bullnose Pencil Edge Tight Form 90° R10 Square Edge ABS Edge

38mm HMR White under



Pencil Edge Tight Form

//// Postformed == Lam Square Edge ▽ ABS Edge

Other Edge Profile: _____

Edge Description: _____

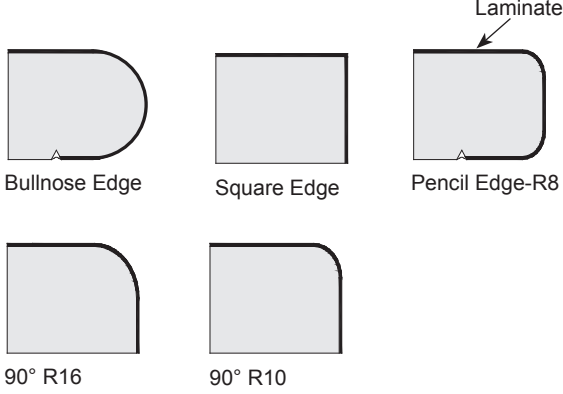
Grid area for drawing or notes.

Please check form is complete before sending.

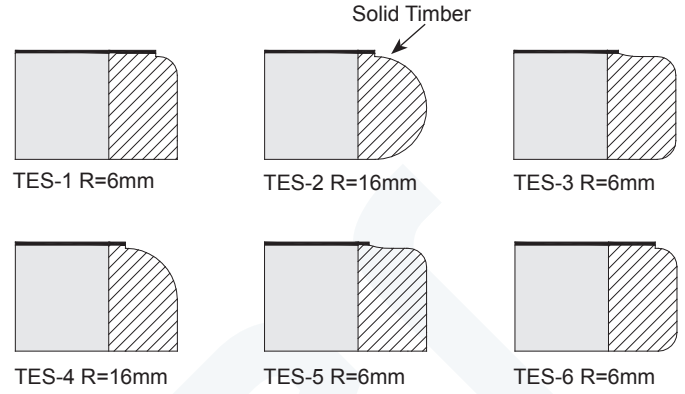
master BENCHTOPS

master BENCHTOPS

1-Standard Edge Profiles

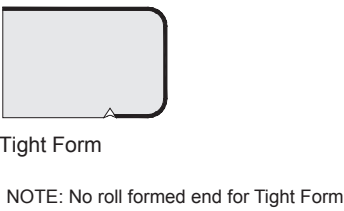


7-Timber Edge Profiles (Laminate Above)

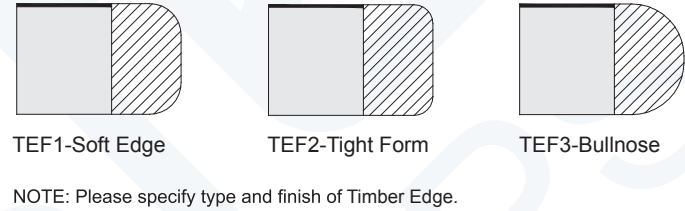


NOTE: Please specify type and finish of Timber Edge.

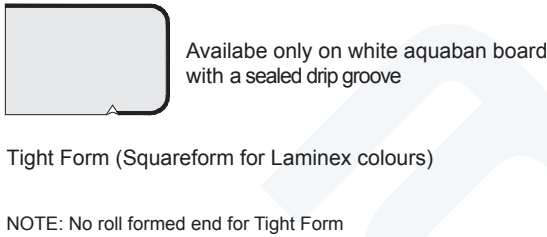
2-Premium Edge Profile - 33mm



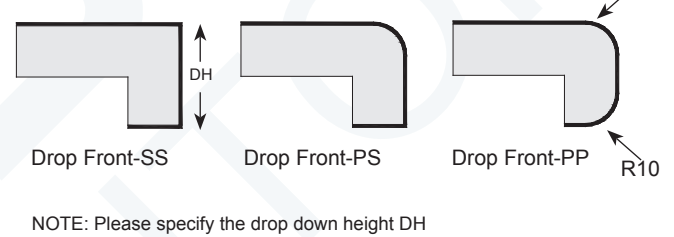
8-Timber Edge Profiles (Laminate Flush)



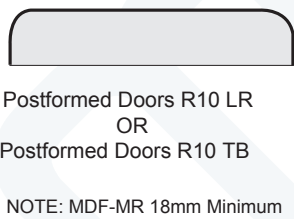
3-Premium Edge Profiles - 38mm



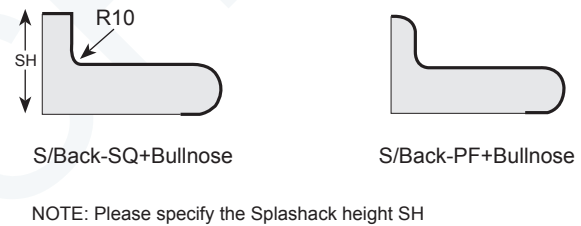
9-Drop Front Edge Profiles



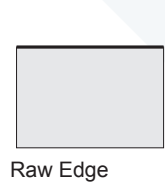
4-Postformed Doors



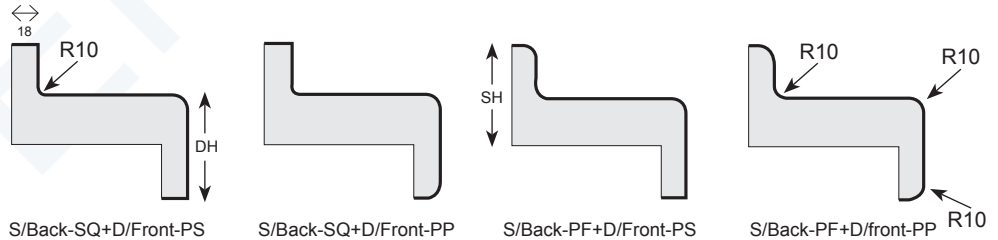
10-Splashback Edge Profiles



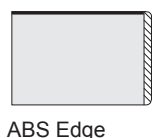
5-Raw Edge Profile



11-Splashback and Drop Front Edge Profiles



6-ABS Edge Profile



12-Built Up Benchtop Edge Profile Details

